

QLF-20000-60

DC~20GHz, 60dBc, 20W

Features:

- * High Stopband Rejection
- * Small Size

Applications:

- * Telecom
- * Laboratory Test
- * Receivers
- * Instrumentation

Electrical

Passband:	DC~20GHz
Passband Insertion Loss:	1dB max.
Passband Ripple:	±0.5dB max.
VSWR:	2 max.
Stopband Attenuation:	60dBc@23~40GHz min.
Average Power:	20W max.

Mechanical

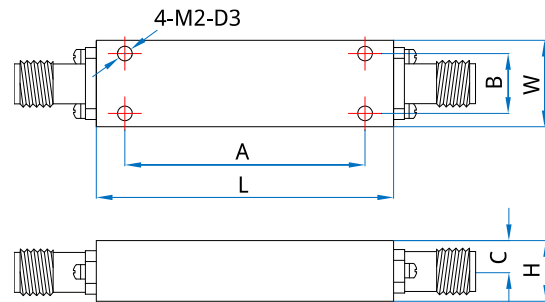
Size ^{*1} :	65*14*10mm 2.559*0.551*0.394in
RF Connectors:	2.92mm Female
Mounting:	4*M2, depth 3mm

[1] Exclude connectors.

Environmental

Operating Temperature: +15~+45°C

Outline Drawings



Size	L	W	H	A	B	C
mm	65	14	10	59	8	5
in	2.559	0.551	0.394	2.323	0.315	0.197

Unit: mm [in]

Tolerance: ±0.2mm [±0.008in]

How To Order

QLF-20000-60

Customization is available upon request.